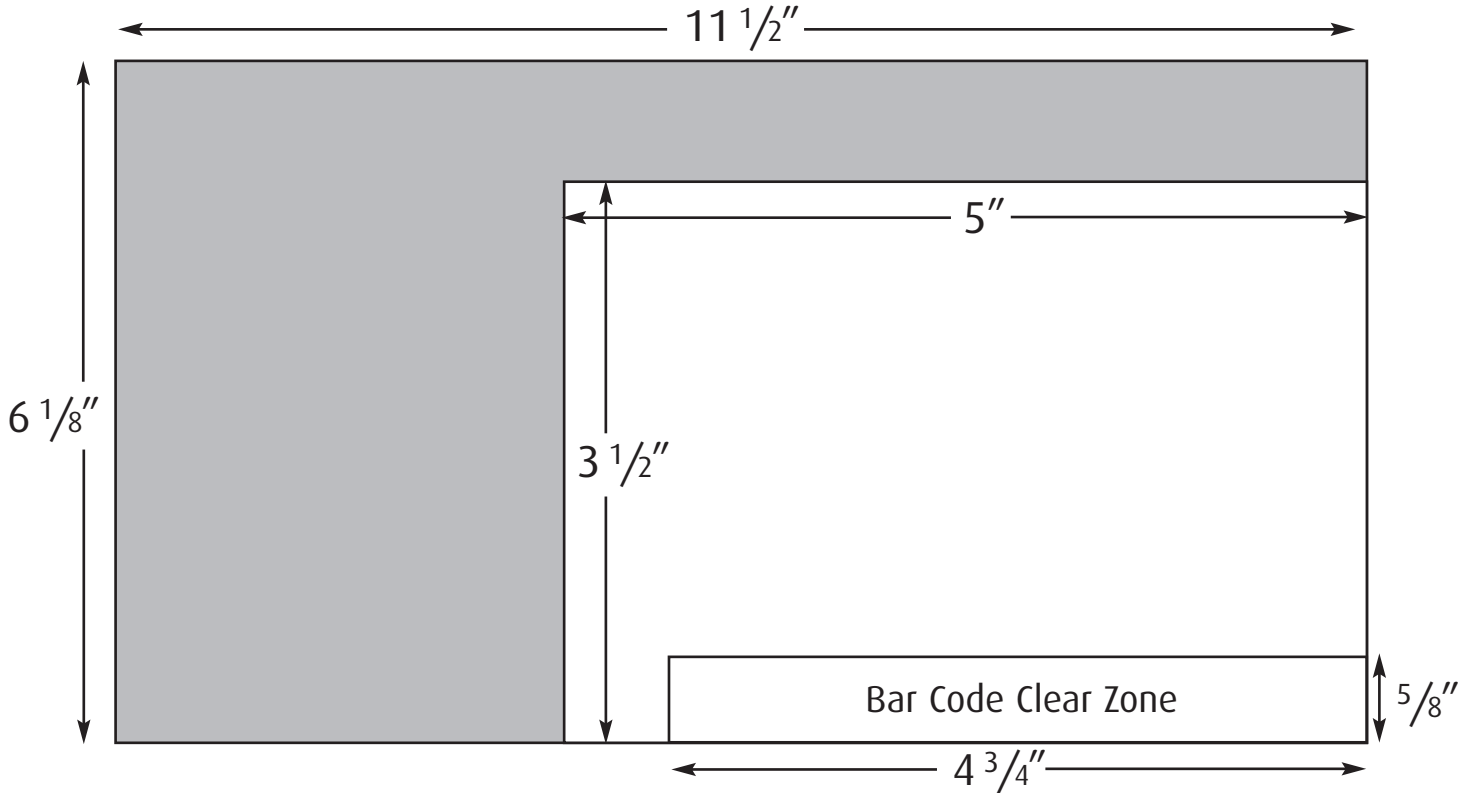


# Letter Mailing Specifications

## Oversize Postcards and Envelopes



Bar Code Clear Zone is where postal bar code may be sprayed.  
**Do not place text in this zone.**

**Minimum Size** 3 1/2" x 5"  
**Maximum Size** 6 1/8" x 11 1/2"

**Automation Aspect Ratio**  
 Length divided by height must be between 1.3 and 2.5. *If outside this aspect ratio, cannot mail at automation rates and subject to surcharges.*

**Minimum Thickness** 7 pt  
 up to 4 1/4" x 6"  
 9 pt  
 over 4 1/4" x 6"

**Maximum Thickness** 1/4"

**Maximum Weight**  
 Automation 1st Class 3.3 oz.  
 Automation Standard 3.5 oz.

**Address Block Clear Area**  
 Minimum 1 1/4" x 3 5/16"  
 Preferred 1 1/4" x 4"

**Address Block Position**  
 Minimum from left or right 3/8"  
 Minimum from bottom 1/2"  
 Maximum from bottom to top of block 4"

Address block must run horizontal

**Bar Code Specs**  
 Minimum distance to any type or printing, except address lines 1/8"  
 Minimum distance to address lines 1/25"  
 Minimum from left or right 1/2"  
 Minimum from bottom 5/8"  
 Maximum bottom to top of bar code 3 7/8"